

Fiber Optical Switch ES-0401-TE

**BIDI TX1310/RX1550
TX1550/RX1310**



ES-0401-TE 10/100Base -TX/FX Optical Switch complies with IEEE802.3 and IEEE 802.3u Standards. ES-0401-TE enables network managers to connect 10 Mbps and 100 Mbps twisted pair network segments and active equipment to fiber optic cabling more cost-effectively than ever. WDM Technology- single fiber saves the Installation cost of expensive fiber cable. Both a media and data rate converter, ES-0401-TE features 10/100 auto-negotiation on the twisted pair port while the fiber port operates at 100 Mbps. ES-0401-TE switches are ideal for any premises FTTx, LAN-to-LAN or LAN-to-WAN fiber networking applications.

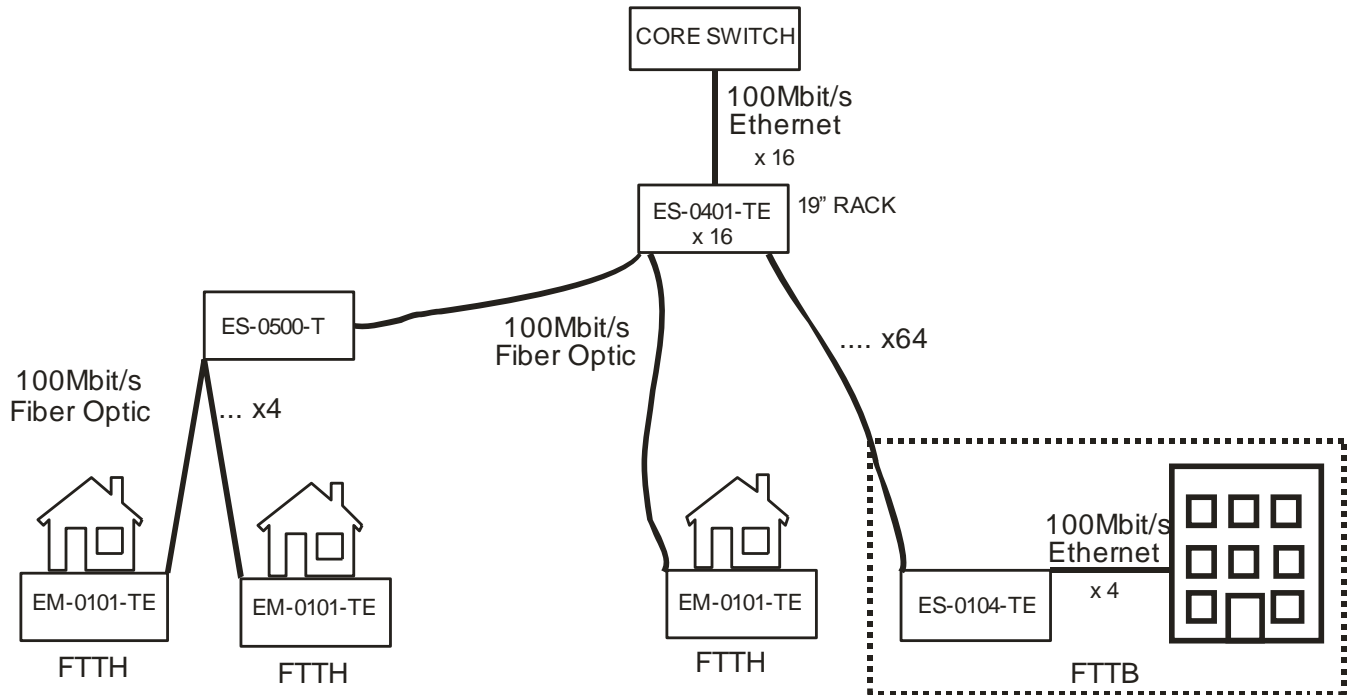
1. KEY FEATURES

- Complies with IEEE802.3 and IEEE802.3u 10/100Base-TX and 100Base-FX
- 10/100Mbps and full/half duplex automatically configure in TP port
- MDI/MDI-X Auto Negotiation
- Max transmit packet(s):1552bytes
- WDM Technology- Saves the installation cost of expensive fiber cable
- Built in a 10/100base-tx transceiver
- Built in 4 x 100base-fx SC ports
- Modified cut-through frame forwarding for low latency
- Pure converter mode data forwarding for extreme low latency
- Flow control for full and half duplex operation
- Led display for link/activity

2. TECHNICAL SPECIFICATION

Standard: 802.3 10B-T, 802.3u 100b-Tx&100b-Fx, 802.3x, 802.1.p
Wavelength: BIDI TX1310nm/RX1550nm; TX1550nm/RX1310nm
Fiber Ports Distance: 10km
Fiber Cable: 8.3/125, 8.7/125, 9/125 or 10/125single-mode
Connectors: RJ-45 Jack and 4 x SC connector
TP Cable: Cat.5 UTP Cable: 100m
Power Supply: 7VDC – 24VDC
Power Consumption: MAX 500mA@12V
Operating temperature: 0 to 60C
Storage temperature : -20 to 70C

3. APPLICATION



4. ORDERING INFORMATION

There are available two options regarding the fiber ports wavelengths:

1. ES-0401-TE TX1550/RX1310
2. ES-0401-TE TX1310/RX1550

Port-base VLAN enable/disable by jumper.